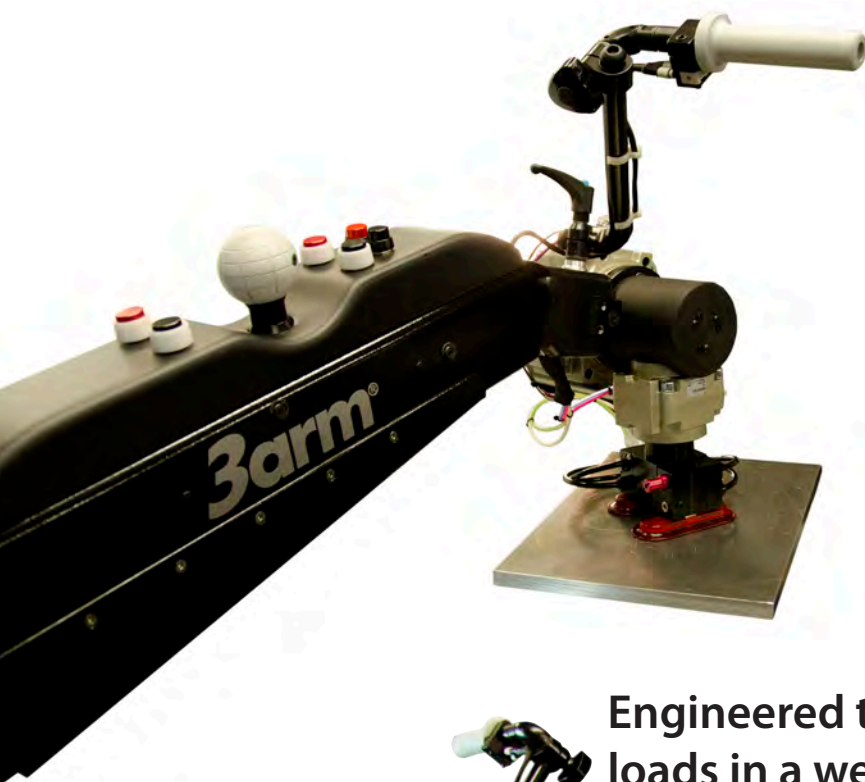


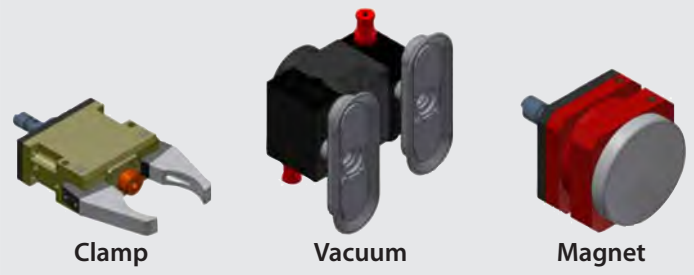
ERGONOMIC SOLUTIONS

Let us solve your problems



MANIPULATOR

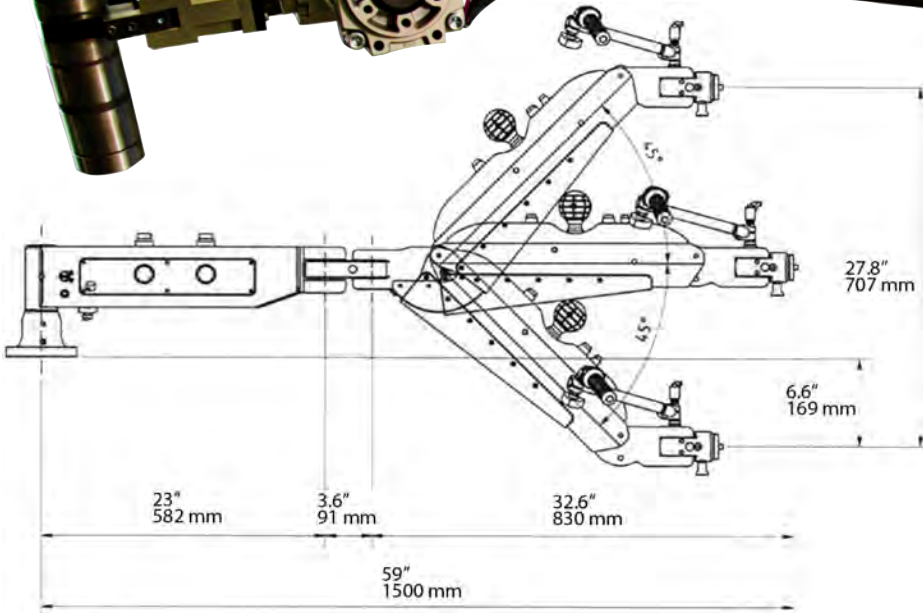
Interchangeable Gripping Tools



Clamp Vacuum Magnet

Rotary actuator unit, double actuator unit & custom gripping tools also available.

Engineered to manually handle, center & off set loads in a weightless condition in any direction!



Weight Range: 0 - 55 lbs

Radius Working Area: 60"

Vertical Reach: 28"

Pneumatic Equipment Included:
 Air filter, precision regulator,
 security valve, dual actuation system

Air Supply Required:
 Compressed air 100 PSI